



Advanced Perforated Metal Sound Absorber

Sorberscreen® perforated metal screen with a non combustible flow resistant backing textile (**Sorbertextile™ ST**), offers high performance sound absorption. The product has a hard durable finish with aesthetic appeal. It's the perfect finish for sound absorption in engine rooms, soundproof enclosures, architectural building walls and ceiling absorptive panel applications.

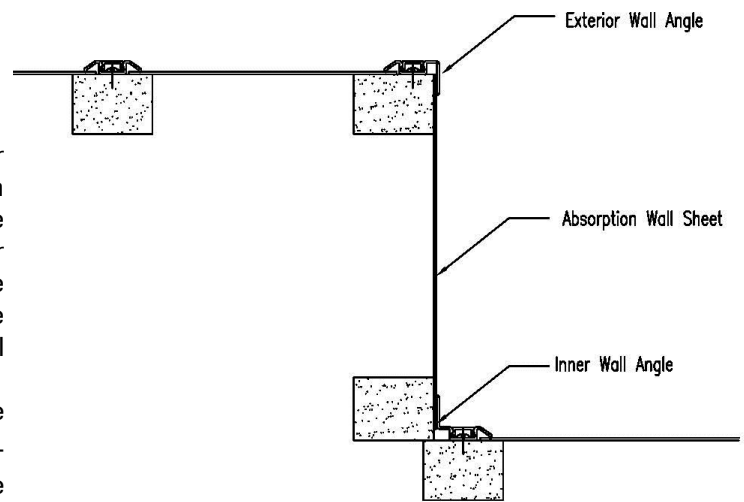
INSTALLATION

To obtain the maximum acoustic performance from **Sorberscreen**, we recommend that it be placed minimum of 25mm from the substrate. The larger the air gap, the better the low frequency absorption. An air cavity can be created using battens or L - brackets depending on the substrate you are fixing it to. Typical installation methods are shown below:

General Installation Guide (Non Structural Fire Protection)

Sorberscreen can simply be installed using either timber battens or basic wall mounts extending from the main structure. Simply build a wall frame off the main structure and allow a minimum of 25mm air gap between the substrate/installation and the **Sorberscreen**. The greater the air gap distance, the better the low frequency absorption you will achieve.

Build your frame (wall mounts/battens) as per the drawing below. Allow approximately 450mm centres between the vertical supports and place the horizontal supports every 600mm centres in a staggered pattern.

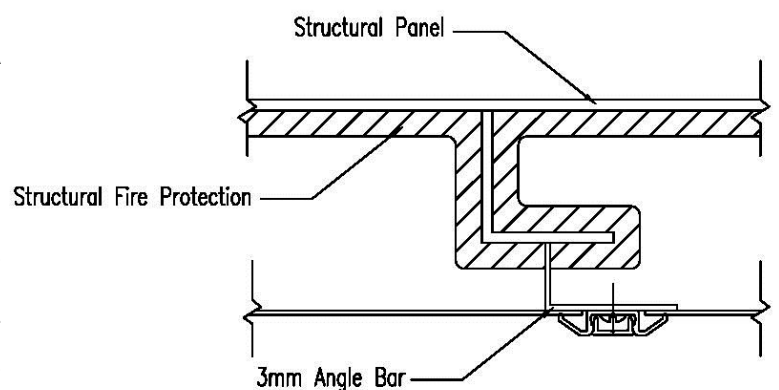


INSTALLATION GUIDE FOR GENERAL ARRANGEMENT

Areas Requiring Structural Fire Protection

For marine applications, the internal stringers of the hull are ideal to create a cavity. It is important that the **Sorberscreen** panels are well supported to prevent mechanical damage. A support matrix at 600mm x 450mm centres behind the panels is required.

When installing **Sorberscreen** where structural fire protection is required, you must keep in mind not to disturb the fire protection insulation. When installing the product on aluminium or steel structures, we recommend that extra T or L bars be welded onto the stringers to support the **Sorberscreen**. Once the supports are welded in place, simply make up a grid pattern frame 600mm x 450mm.



INSTALLATION GUIDE FOR STRUCTURAL FIRE PROTECTION

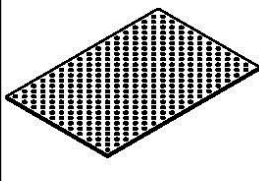
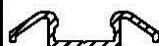

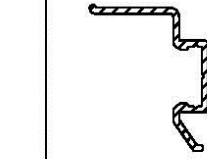
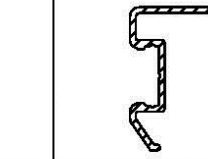
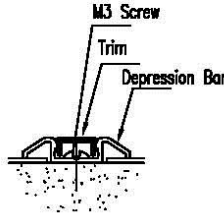
Installation of Joinery Pieces/Fixtures & Fittings

Depending on the layout of the area being treated, the corner depression bars are installed first using M3 screws spaced every 600mm, with the bars being left loose until the **Sorberscreen** is slipped in behind the clamping flange of the depression bar.

A joining depression bar is used at the end of the **Sorberscreen** sheet to continue the installation if required. Use the same technique of leaving the screws loose until the sheet of **Sorberscreen** is slipped under the clamping flange. Once **Sorberscreen** is in place, the screws holding the depression bars can be tightened, this will clamp it in place.

Check that **Sorberscreen** is held tightly in place to prevent any rattling. In the case of an engine bay fit out, vibration from rotating equipment can cause **Sorberscreen** to vibrate, there by producing unwanted noise from loose panels. Finally, the concealment trim is then applied over the screws.

To obtain the aesthetic presence of the product, plastic end caps can be placed over the screws. **Sorberscreen** comes with a clear protective plastic covering, once you have completed the installation, remove the protective film.

Sorberscreen	Sorberscreen DB Depression Bar	Sorberscreen TM Trim	Sorberscreen IWA Inner Wall Angle	Sorberscreen EWA Exterior Wall Angle	Sorberscreen TM/SFS
Alu 1.0mm Powder coated	Alu 1.0mm	Alu 1.0mm	1.0mm Alu	1.0mm Alu	Fastening System
					
W1220x2440	W25x5.8xL3000	W9.6xH4xL3000	W25x20xL3000	W24x15xL3000	

Suspended Ceiling Tiles—Clip-in Instructions

Product Description

Sorberscreen Clip-in systems are powder coated galvanised steel ceiling panels available in standard 600 x 600 or 600 x 1200 tiles. They are designed to install on a suspension system. All full panels can be removed and reinstalled without movement up into the plenum area.

Sorberscreen Clip-in panels are powder coated in standard white (WH), silver grey (SG) and gun metal grey (MY) finishes. The panels are lined with **Sorbertextile ST** which is a fire resistant textile, that reduces flow resistance through the perforations, and increases the acoustic absorption.

Installation Guide

The installation of **Sorberscreen** Clip-in panels require no more space in the plenum, around 75mm from the face of the panel to the top of the carrying channel or main beam. Additional space may be required for the attachment devices and suspension wired.

Accessories

MPT 4500 Spring Tee System



MPT 4500 Spring Tee



B4 Wire Clip 1-1/2 Channel



7835 Perimeter Channel



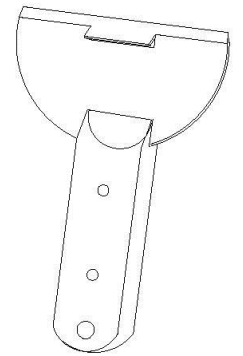
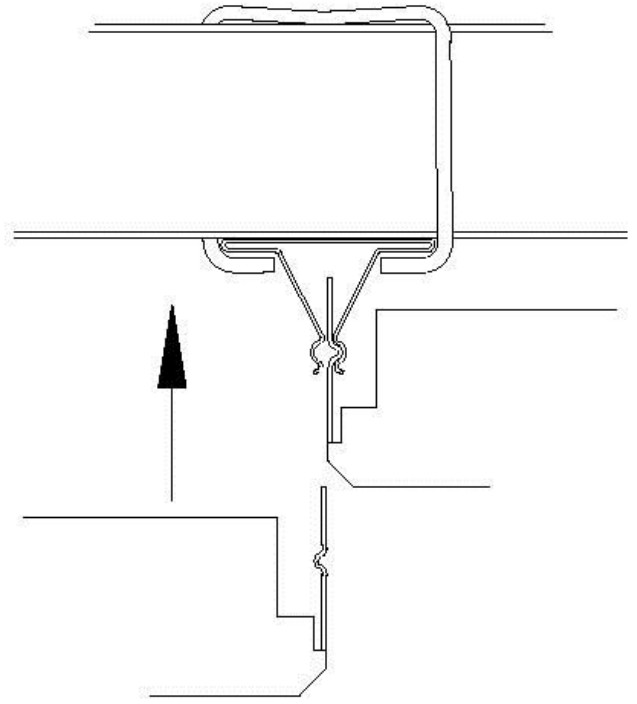
7835SC Spreader Channel



S45 Splice for Metal Pan Main Beam

Suspension Systems

- The MPT 4500 main beams are installed every 600mm, and are attached to the carrying channel on 1200mm centers, using wire clips. Alternately, they may be screw attached perpendicular to prelude main beams with two self drill screws at each intersection.
- Location of the first main beam shall be as detailed on the reflected ceiling plan so as to provide borders that are equal in size and greater than $\frac{1}{2}$ of the full panel width.
- Hangers and bracing are to comply with local code requirements.
- Perimeters are trimmed with channel molding attached with appropriate fasteners.
- Cut edges are held down against the channel moldings.
- Panels are multidirectional. Two opposite sides feature a pair of "pips" that engage the main beam and retain the panel.
- Align the edges with the opening on the bottom of the main beam and press up into the place with the palm of the hand.
- The use of a string line is recommended to maintain panel alignment perpendicular to the main beams.

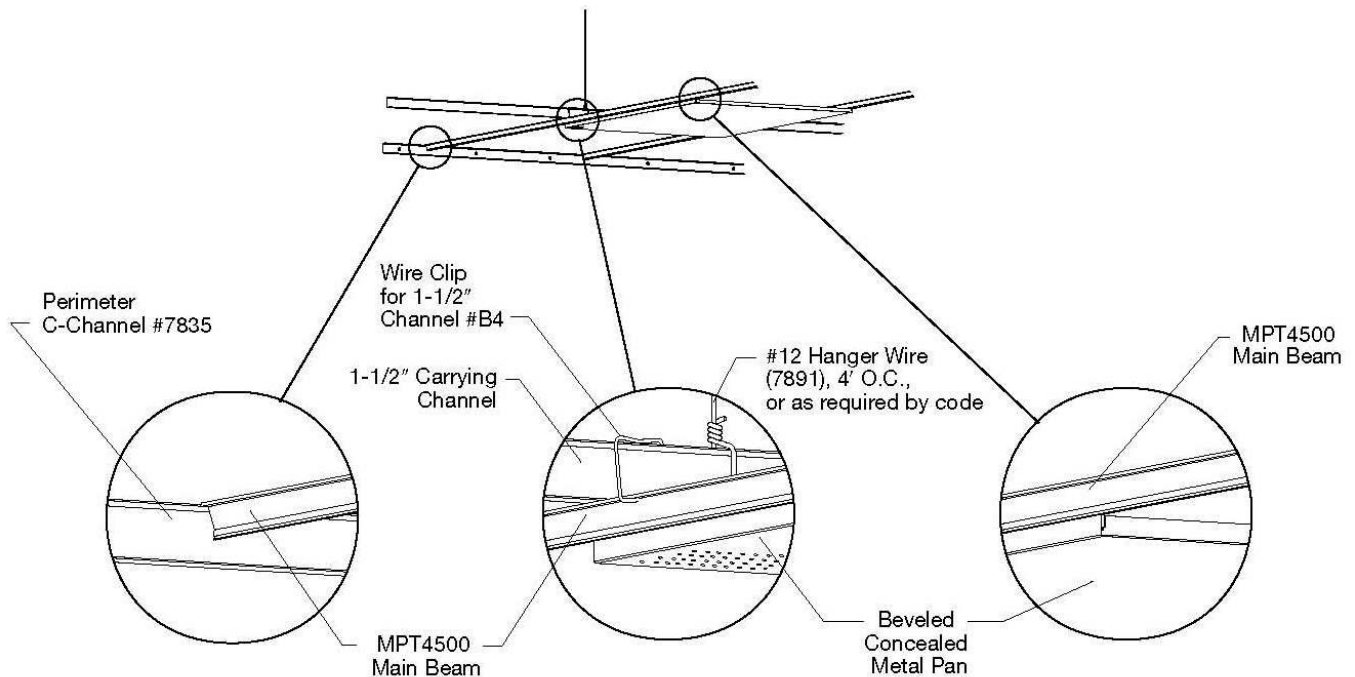


Cut Panels

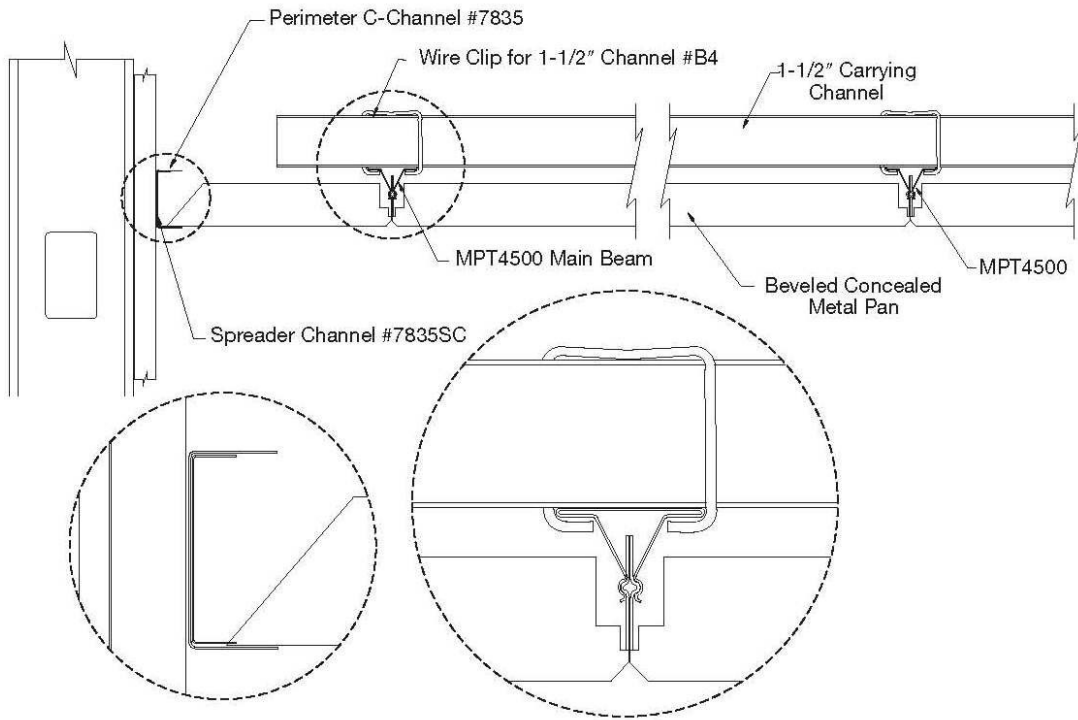
- Cut panels should never occur within the field of the ceiling. All ceiling mounted services must either replace a full panel, install into a hole cut in a panel or be mounted through the face of a panel.

Panel Removal

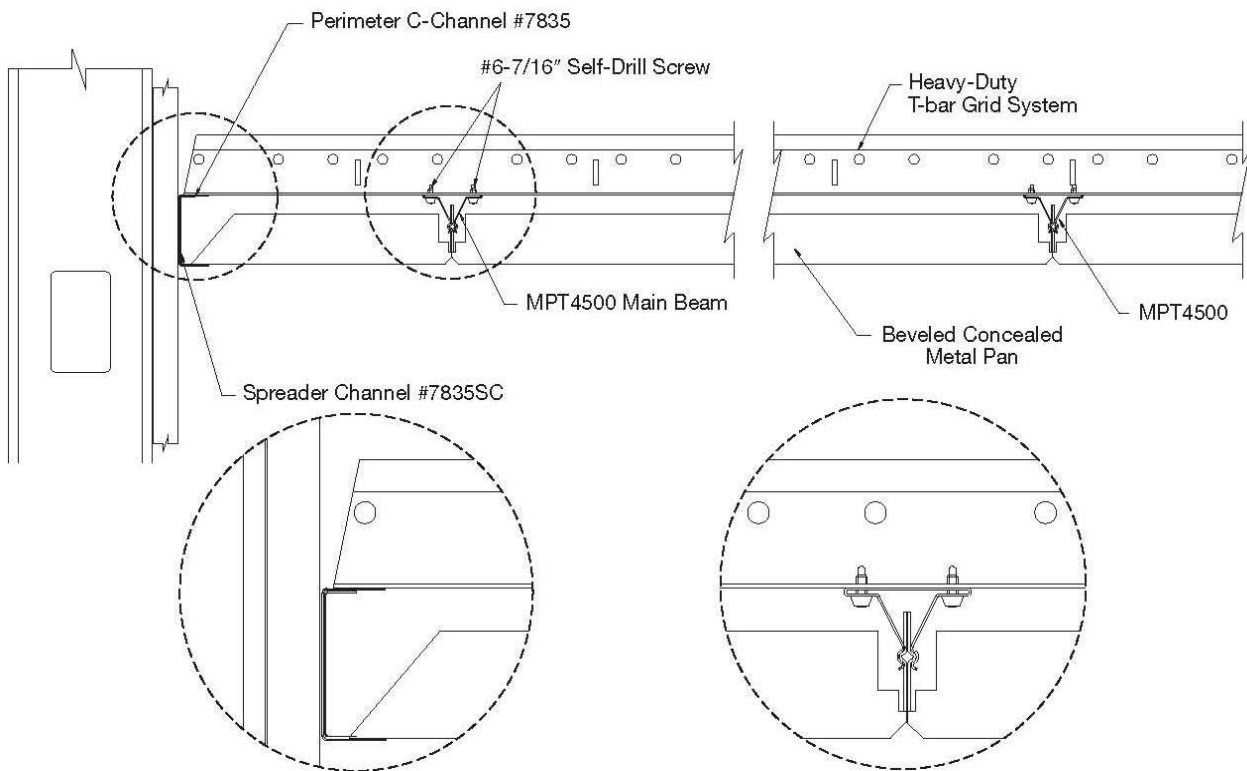
- All panels are removable without moving up into the plenum. A panel removal tool, is inserted into the joint between two panels. When inserted far enough, the tool will engage the top edge of the panel. Pull down gently to release the panel from the MPT4500 main beam.



Perspective view of **Sorberscreen** Slip-in ceiling installed on 1½ carrying channel.



Section detail of **Sorberscreen** Slip-in ceiling installed on 1½ carrying channel.



Section detail of **Sorberscreen** Clip-in ceiling installed on 15/16" Tbar grid

Caveats: Specifications are subject to change without notice. The data in this document are typical of average values based on tests by independent laboratories or by the manufacturer and are indicative only. Materials must be tested under intended service conditions to determine their suitability for purpose. The conclusions drawn from acoustic test results are as interpreted by qualified independent testing authorities. Nothing here releases the purchaser/user from responsibility to determine the suitability of the product for their project needs. Always seek the opinion of your acoustic or mechanical engineer on data presented by the manufacturer. Due to the wide variety of individual projects, Pyrotek NC is not responsible for differing outcomes from using their products. Pyrotek disclaims any liability for damages or consequential loss as a result of reliance solely on the information presented. No warranty is made that the use of this information or of the products, processes or equipment to which this Information Page refers will not infringe any third party's patents or rights. **DISCLAIMER:** This document is covered by Pyrotek standard Disclaimer, Warranty and © Copyright clauses. See www.pyroteknc.com/disclaimer.

AUSTRALIA 1300 928 322 (1300 WAVEBAR) +61(0)2 8868 2088	CHINA +86(0)755 8601 6449 HONG KONG +852 2548 4443	CZECH REPUBLIC +420 516 527 195 +420 725 373 966	DUBAI +971 (50) 624 9254 INDIA +91 9819 330 499 +91 2137 668 000	NEW ZEALAND 0800 226 878 427 (0800 ACOUSTICS) +64(0)9 272 2056	TAIWAN +886 6 313 1267 INDONESIA +62 81 1889 1917	UNITED KINGDOM +44(0)1908 561155 TURKEY +90 212 230 3033	USA +1 509 991 8548 +1 856 816 0194
-------------------------------------------------------------------------	---------------------------------------------------------------------------	---------------------------------------------------------------	--------------------------------------------------------------------------------------------	--------------------------------------------------------------------------------	--------------------------------------------------------------------------	---------------------------------------------------------------------------------	--------------------------------------------------

